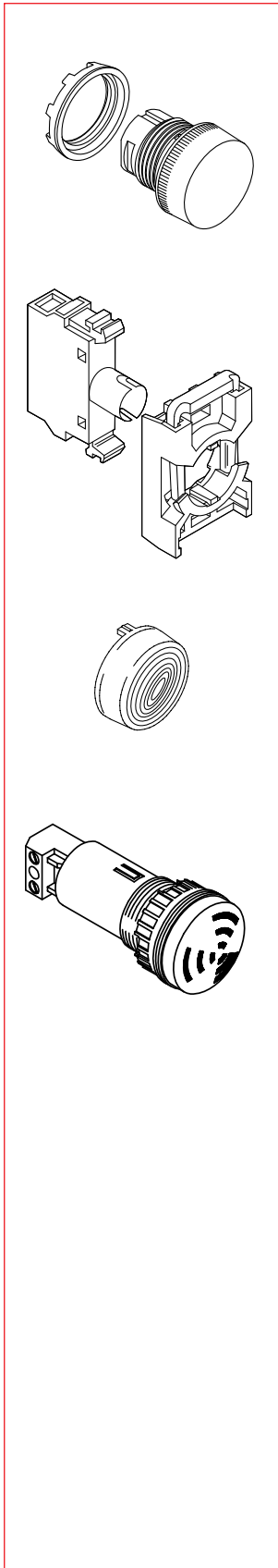


# Pilot lights and Buzzers

Pilot Devices  
Modular Range  
22mm



## Pilot light head ①②

Lens color	Catalog No.	Ref. Code	List Price
Red	<b>ML1-100R</b>	1SFA 611 400 R1001	<b>\$ 4.50</b>
Green	<b>ML1-100G</b>	1SFA 611 400 R1002	
Yellow	<b>ML1-100Y</b>	1SFA 611 400 R1003	
Blue	<b>ML1-100L</b>	1SFA 611 400 R1004	
White	<b>ML1-100W</b>	1SFA 611 400 R1005	
Clear	<b>ML1-100C</b>	1SFA 611 400 R1008	

## Lamp blocks with holder ①

Supply voltage	Catalog No.	Ref. Code	List Price
<b>For max. 2 W, 230 V AC and DC filament bulb or LED</b>  230 V, 2 W X1 X2 115 V AC supply voltage.	<b>MCBH-001</b>	1SFA 611 605 R1200	<b>\$ 19.50</b>
<b>For 60 V filament bulb max. 1.2 W</b>  115 V X1 60 V X2 1.2 W	<b>MCBH-002</b>	1SFA 611 605 R1300	<b>23.50</b>
<b>For 130 V filament bulb max. 2 W</b>  230 V X1 130 V X2 2 W	<b>MCBH-003</b>	1SFA 611 605 R1400	<b>23.50</b>

## Light diffusing lens

To improve illumination. *Note: Cannot be used with text cap.*

Description	Catalog No.	Ref. Code	List Price
The lens is used instead of text cap	<b>KA1-8005</b>	1SFA 616 920 R8005	<b>\$ 3.00</b>

## Buzzers

Black. Frequency: Approx. 2400 Hz. Loudness: Min 80 dB (A)/10 cm  
Rated current: ≤ 8 mA. Service life: >5000 h

Supply voltage	Tone	Catalog No.	Catalog No.	Ref. Code	List Price
24 V AC/DC	Continuous	<b>KB1-4010</b>		1SFA 616 401 R4010	<b>\$ 75.00</b>
115 V AC/DC	Continuous	<b>KB1-4030</b>		1SFA 616 401 R4030	<b>75.00</b>
230 V AC	Continuous	<b>KB1-4040</b>		1SFA 616 401 R4040	<b>75.00</b>
24 V AC/DC	Pulsating	<b>KB1-4110</b>		1SFA 616 401 R4110	<b>85.00</b>
115 V AC/DC	Pulsating	<b>KB1-4130</b>		1SFA 616 401 R4130	<b>85.00</b>
230 V AC	Pulsating	<b>KB1-4140</b>		1SFA 616 401 R4140	<b>85.00</b>

① Bulb not included. See page 8.23  
② For compact style, see page 8.33.