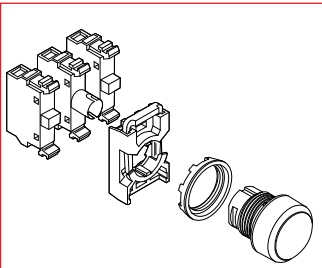


Press-to-test pilot light pushbuttons

Pilot Devices
Modular Range
22mm



MP1-MLFPT1C

Flush button standard.
For extended button, replace
'1' in MP1-... with '3'

Press-to-test

Type	Black plastic ring	Chrome metal ring			
	Catalog number	Catalog number	List price		
Operator only ① Full voltage type 6V 12V 24V 48V 120V	MP1-KLPTΔ	MP1-MLPTΔ	\$ 22.50		
	MP1-KLFPT6Δ MP1-KLFPT7Δ MP1-KLFPT8Δ MP1-KLFPT9Δ MP1-KLFPT1Δ	MP1-MLFPT6Δ MP1-MLFPT7Δ MP1-MLFPT8Δ MP1-MLFPT9Δ MP1-MLFPT1Δ	46.00		
	Resistor type 120V 240V	MP1-KLRPT1Δ MP1-KLRPT2Δ	MP1-MLRPT1Δ MP1-MLRPT2Δ	54.00	
		Transformer type 120V/6V 240V/6V 380V/6V 480V/6V 600V/6V	MP1-KLTPT1Δ MP1-KLTPT2Δ MP1-KLTPT3Δ MP1-KLTPT4Δ MP1-KLTPT5Δ	MP1-MLTPT1Δ MP1-MLTPT2Δ MP1-MLTPT3Δ MP1-MLTPT4Δ MP1-MLTPT5Δ	80.00
	120V/24V 240V/24V 380V/24V 480V/24V		MP1-KLTPT6Δ MP1-KLTPT7Δ MP1-KLTPT8Δ MP1-KLTPT9Δ	MP1-MLTPT6Δ MP1-MLTPT7Δ MP1-MLTPT8Δ MP1-MLTPT9Δ	80.00

Δ Select the lens color from the "Illuminated lenses" selection chart and substitute the suffix code for the Δ. The lens and bulb are included in the price.

Press-to-test (LED bulb)

Type	Black plastic ring	Chrome metal ring		
	Catalog number	Catalog number	List price	
Full voltage type 24V 120V 230V	MP1-KLFPTL8Δ MP1-KLFPTL1Δ	MP1-MLFPTL8Δ MP1-MLFPTL1Δ MP1-MLFPTL2Δ	\$ 55.00 55.00 61.00	
	Transformer type 120V/24V 240V/24V 380V/24V 480V/24V	MP1-KLTPTL1Δ MP1-KLTPTL2Δ MP1-KLTPTL3Δ MP1-KLTPTL4Δ	MP1-MLTPTL1Δ MP1-MLTPTL2Δ MP1-MLTPTL3Δ MP1-MLTPTL4Δ	80.00

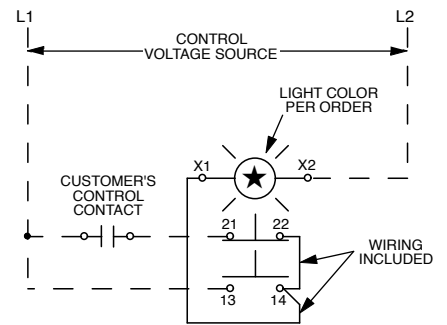
Δ Select the lens color from the "Illuminated lenses" selection chart and substitute the suffix code for the Δ. The lens and bulb are included in the price.

Δ Illuminated lenses

Button color	Suffix code
Red	R
Green	G
Yellow	Y
Blue	L
Clear	C
White	W

NOTE: White LEDs use clear lenses.

Schematic



Press-to-test schematic

① 1 N.O. & 1 N.C. contact supplied; lamp module and bulb must be ordered separately.