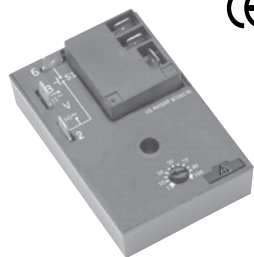


ProgramaCube®

HRPS/HRIS Series Single Function Time Delay Relay (30A SPDT)



US Patent 6708135



- 30 A SPDT N.O. Output Contacts
- Factory Programmed
- Universal Voltage
24 ... 240 V AC ... 110 V DC
- Encapsulated Circuitry
- Onboard, External Adjust or Fixed Time Delay
- Delays from 100 ms...1000 h in 9 ranges
- +/-0.5% Repeat Accuracy

Complete Product Details:
<http://www.ssac.com/pp1.htm>



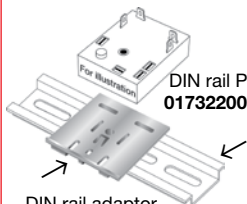
Accessories



100 K Ohm External adjust potentiometer
 P/Ns:
P1004-95 (fig A)
P1004-95-X (fig B)



Versa-knob
 P/N: **P0700-7**



DIN rail P/Ns:
017322005 (Steel)

DIN rail adaptor
 P/N: **P1023-20**

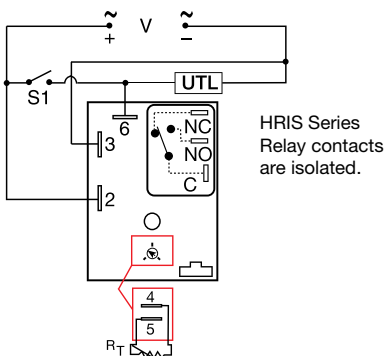
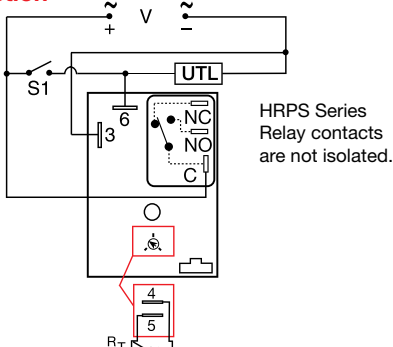
See accessory pages.



The HRPS/HRIS Series combines a 30 amp rated electromechanical relay output with any 1 of 14 standard functions. Modules are manufactured without the function assigned. When an order is received, the function and time delay software are added. This approach allows Quick Ship delivery on all time ranges and functions. The 30A res. output contact rating allows for direct operation of heavy loads such as compressors, pumps, blower motors, heaters, etc. This series is ideal for OEM applications where cost is a factor. HRPS has non-isolated SPDT relay contacts, and HRIS has isolated SPDT relay contacts.

Choose from 1 of 14 standard single functions, fixed or onboard or external adjustment, and 9 time ranges. All available through the QuickShip program.

Connection



**Function Chart

- Delay on Make
- Delay on Break
- Recycle (ON Time First, Equal Times)
- Recycle (OFF Time First, Equal Times)
- Single Shot
- Interval
- Trailing Edge Single Shot
- Inverted Single Shot
- Inverted Delay on Break
- Accumulative Delay on Make
- Motion Detector/Retriggerable Single Shot
- Alternating Relay
- Flip Flop (leading edge)

Code

- M**
- B**
- RE**
- RD**
- S, SD**
- I**
- TS**
- US**
- UB**
- AM**
- PSD, PSE**
- FT**
- F**

See page 9 for function time diagrams

NOTE: A knob is supplied for adjustable units, or RT terminals for 4 & 5 for external adjustment. Select a 100K ohm potentiometer for full time range adjustment. The untimed load is optional. S1 is not used for some functions. Dashed lines are internal connections.

V = Input Voltage S1 = Initiate Switch
 C = Common UTL = Optional Untimed Load
 NO = Normally Open NC = Normally Closed

Technical Data

Output	SPDT-N.O	SPDT-N.C.
Ratings:	30 A	15 A
General Purpose	1 hp*	1/4 hp**
Motor Load	2 hp**	1 hp**
240 V AC		
Life	Electrical -- 1 x 105, *3 x 104, **6,000	
Mechanical	Surface mt. with one #10 (M5 x 0.8) screw	
Mounting	3 x 2 x 1.5 in (76.7 x 51.3 x 38.1 mm)	
Package	0.25 in. (6.35 mm) male quick connects	
Termination		

Ordering Table

HRPS/HRIS

Series

Input
-W - 24 ... 240 V AC
24 ... 110 V DC
-D - 12 ... 48 V DC †

Adjustment
-1 - Fixed
-2 - Onboard Adjust
-3 - External Adjust

Time Delay *
-1 - 0.1 ... 10 s
-2 - 1 ... 100 s
-3 - 10 ... 1000 s
-4 - 0.1 ... 10 m
-5 - 1 ... 100 m
-6 - 10 ... 1000 m
-7 - 0.1 ... 10 h
-8 - 1 ... 100 h
-9 - 10 ... 1000 h

Function **
Specify Function (Refer to Function Chart for Code)

*Note: Grayed option is available in standard lead time.

Example P/N:

HRPSW23S = Universal AC/DC voltage, onboard adjustment, 10...1000 sec., single shot function

HRISW10.5SB = Universal AC/DC voltage, isolated contacts, fixed delay of 0.5 sec., delay on break function