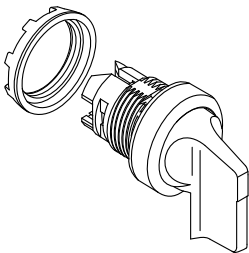
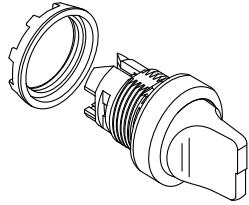
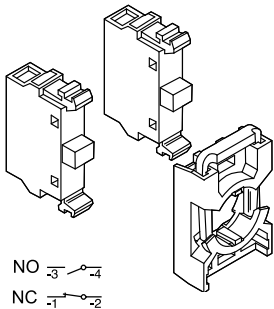


Two-position selector switches Non-illuminated

8



Bezel in black plastic as standard
Bezel in metal:
Replace '1' in the:
Catalog No. M2SSX-1 0X
Ref. Code 1SFA61 XXX R 1XXX
3 for metal bezel
4 for grey plastic bezel



Contact functions

Block positions as seen from operator front.

Handle position	Left block	Right block
A (B)	O	O
C	x	x

O = not actuated (normal state)
x = actuated (state changed)

Operator ...

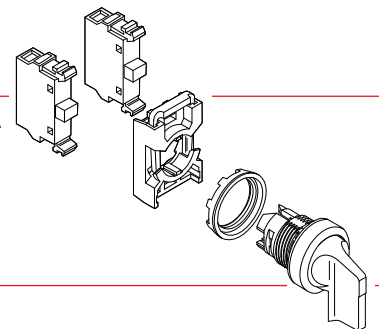
Symbol	Handle color	Catalog No.	Ref. Code	List Price
with short handle ①				
Maintained				
	Red	M2SS1-10R	1SFA 611 200 R1001	\$ 11.00
	Black	M2SS1-10B	1SFA 611 200 R1006	
	Grey	M2SS1-10U	1SFA 611 200 R1007	
Maintained				
	Red	M2SS2-10R	1SFA 611 201 R1001	\$ 11.00
	Black	M2SS2-10B	1SFA 611 201 R1006	
	Grey	M2SS2-10U	1SFA 611 201 R1007	
Momentary, spring return from C to B				
	Red	M2SS3-10R	1SFA 611 202 R1001	14.00
	Black	M2SS3-10B	1SFA 611 202 R1006	
	Grey	M2SS3-10U	1SFA 611 202 R1007	
with long handle ①				
Maintained				
	Red	M2SS4-10R	1SFA 611 203 R1001	11.00
	Black	M2SS4-10B	1SFA 611 203 R1006	
	Grey	M2SS4-10U	1SFA 611 203 R1007	
Maintained				
	Red	M2SS5-10R	1SFA 611 204 R1001	11.00
	Black	M2SS5-10B	1SFA 611 204 R1006	
	Grey	M2SS5-10U	1SFA 611 204 R1007	
Momentary, spring return from C to B				
	Red	M2SS6-10R	1SFA 611 205 R1001	14.00
	Black	M2SS6-10B	1SFA 611 205 R1006	
	Grey	M2SS6-10U	1SFA 611 205 R1007	

Contact blocks and holder

Blocks	Catalog No.	Ref. Code	List Price
1 NO with holder	MCBH-10	1SFA 611 605 R1101	\$ 10.00
1 NC with holder	MCBH-01	1SFA 611 605 R1110	10.00
2 NO with holder	MCBH-20	1SFA 611 605 R1102	18.00
2 NC with holder	MCBH-02	1SFA 611 605 R1120	18.00
1 NO + 1 NC with holder	MCBH-11	1SFA 611 605 R1111	18.00
1 NO without holder	MCB-10	1SFA 611 610 R1001	8.00
1 NC without holder	MCB-01	1SFA 611 610 R1010	8.00
Holder for 3 blocks	MCBH-00	1SFA 611 605 R1100	2.00

Ordering example

Requested: A non-illuminated modular selector switch. Black.
Maintained.
Handle positions: A and C
With 2 NC contacts
Ref.: 1 piece of M2SS2-10B + 1 piece of MCBH-02



① No contact block in the center position